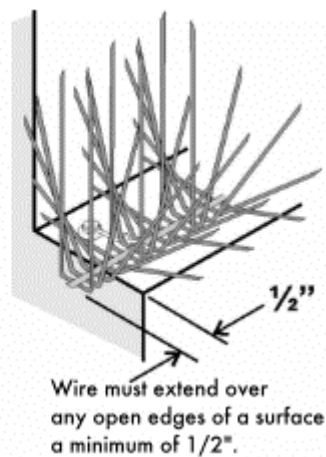
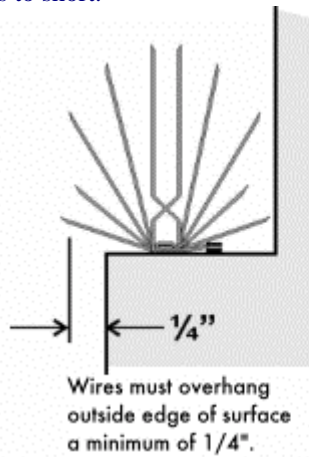


# Installing the Nixalite Strips

You've laid out the installation surface and installed the mounting system. You're ready to install the Nixalite strips. Here are some installation tips to remember.

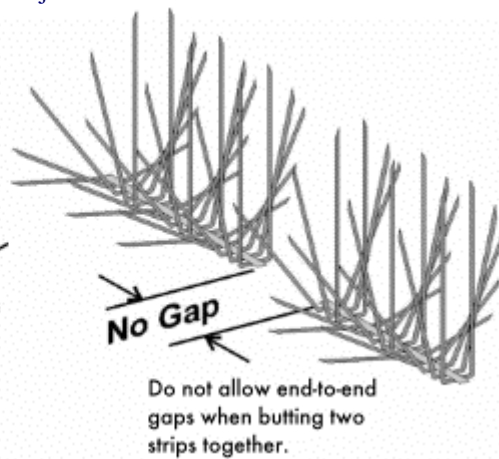
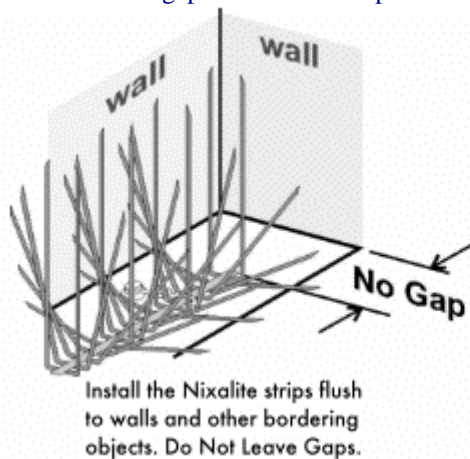
## Strip Overhangs

The wires of the Nixalite must extend over the outside edges and ends of the installation surface. Don't cut the strips to short.



## No Gaps!

Do not leave gaps, openings or unprotected spots in the Nixalite installation. When butting two strips end-to-end, make sure that there is no gap between strips. Where a Nixalite strip meets a wall or similar object, make sure there is no gap between the strip and the object.

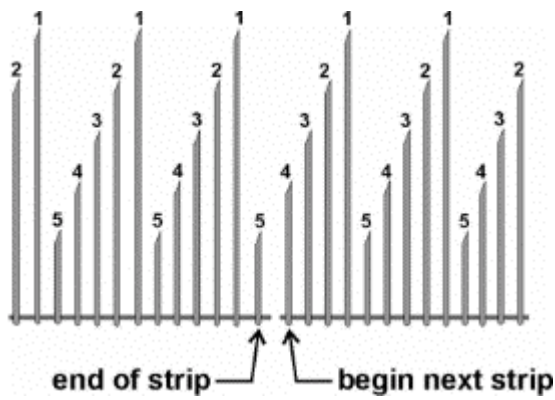


## Cutting the Strips

If you have to cut the Nixalite strip, turn the strip so the wires are pointed away from you and cut between the wires to the desired length.

## Butting Strips together

If you have to cut the Nixalite strip, make sure that you do not cut it too short. When butting two strips together, make sure that the wire pattern is continued from one strip to the next.

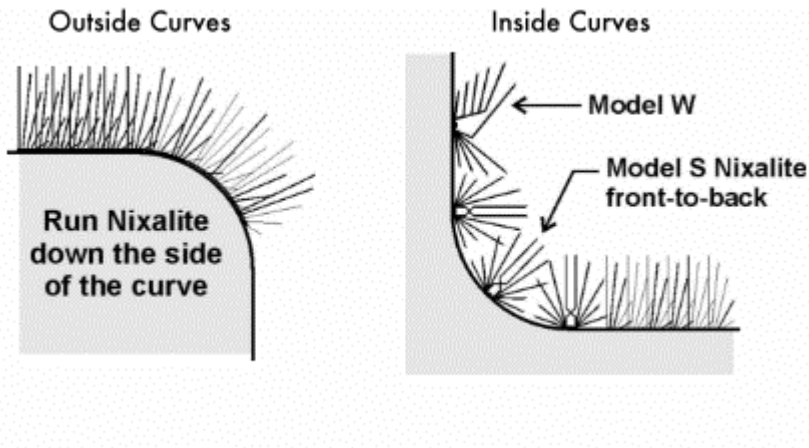


### Curves

**Outside curves:** Make sure the Nixalite strips run far enough down the sides of the curve to prevent birds from getting a foothold - see detail 1.

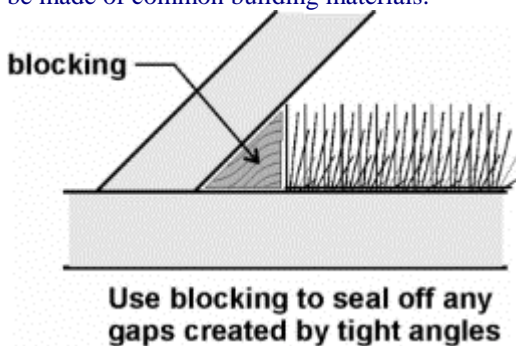
### Inside curves:

Install the Nixalite strips in a "front-to-back" direction, or across the installation surface - see detail 2. Use Model W Nixalite as an "end-cap" to protect the exposed sides of the Nixalite strips.



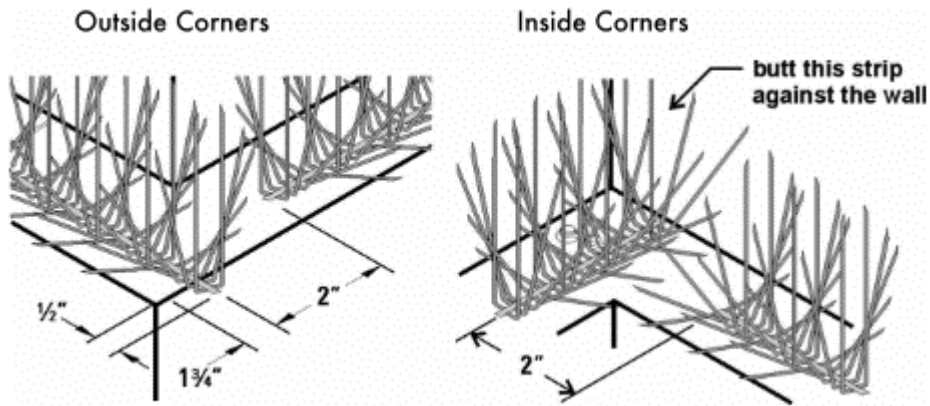
### Angles

In tight angles it may be necessary to use "blocking" to seal off any small gaps left unprotected. "Blocking" can be made of common building materials.



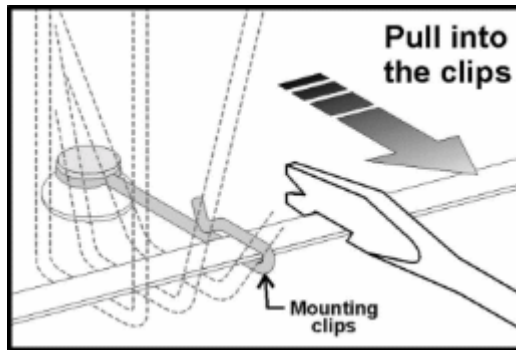
### Corners

When two or more strips meet at an outside or inside corner, use the strip patterns shown.



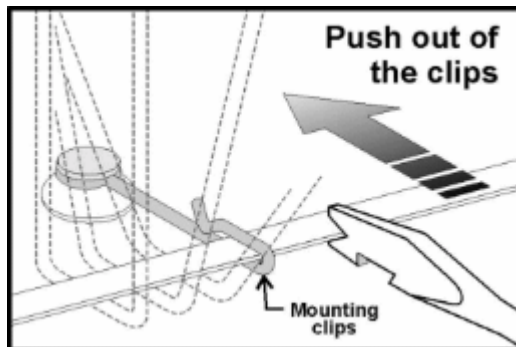
## Using the Nixalite Installation Tool

Nixalite's Installation Tool (Part #NT87) is designed to quickly push or pull the Nixalite Needle Strips into or out of the supplied mounting hardware. It speeds up the installation process and protects the strips from damage that can come from improper tool use. The Installation Tool is an accessory and is purchased separately from the Nixalite strips.



### To install:

Place the square notch in the bottom of the Installation Tool over the base strip of the Nixalite, and pull the base strip into the mounting clips.



### To remove:

Position the V-notch in the end of the Installation Tool on the Nixalite base strip. With steady pressure, push the base strip out of the mounting clips.